

VC-MP-A1

Order No.: 1884403

The illustration shows version VC-MP-A3



<http://eshop.phoenixcontact.de/phoenix/treeViewClick.do?UID=1884403>

Panel mounting base, made of metal, powder-coated type 1, number of modules 2, cable screw connection Pg16

Commercial data	
EAN	4017918164430
Pack	5 Pcs.
Customs tariff	79070090
Weight/Piece	0.3547 KG
Catalog page information	Page 302 (PC-2007)

Product notes

WEEE/RoHS-compliant since:
07/01/2005



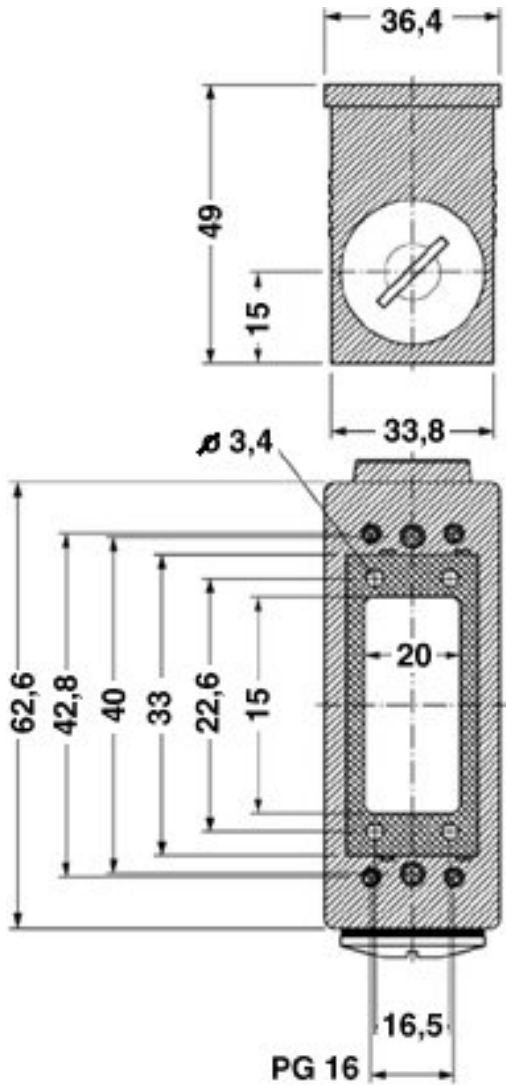
<http://www.download.phoenixcontact.com>
Please note that the data given here has been taken from the online catalog. For comprehensive information and data, please refer to the user documentation. The General Terms and Conditions of Use apply to Internet downloads.

Technical data**General characteristics**

Note	When using fiber optics, the bending radii of the cable manufacturers must be observed.
Design	VC1
Degree of protection	IP65/IP66/IP67
Type of the screw connection	1x Pg16
Pg screw connection	None
Height	49 mm
Number of module slots	2
Housing material	Zinc die-cast
Housing surface material	Powder coating
Seal material	EPDM
Ambient temperature (operation)	-40 °C ... 125 °C

Drawings

Dimensioned drawing



VC-MP-A1 Order No.: 1884403

<http://eshop.phoenixcontact.de/phoenix/treeViewClick.do?UID=1884403>

Address

PHOENIX CONTACT GmbH & Co. KG
Flachsmarktstr. 8
32825 Blomberg, Germany
Phone +49 5235 3 00
Fax +49 5235 3 41200
<http://www.phoenixcontact.de>



© 2008 Phoenix Contact
Technical modifications reserved;